

ENGINE 112 (except 112.912 /946 /961)

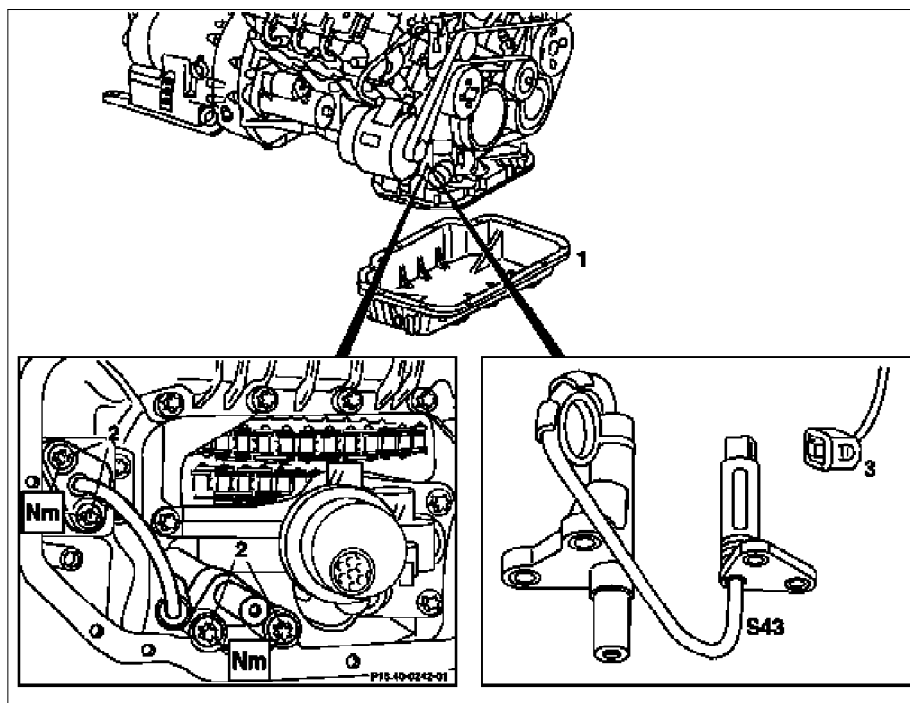
ENGINE 112

ENGINE 113

ENGINE 113 (except 113.968 /963 /992)

Shown on engine 112

- 1 Oil pan, bottom part
 2 Oil level sensor bolts
 3 Oil level sensor plug
 S43 Oil level sensor



P18.40-0241-06

	Remove/Install		
⚠ Danger!	Risk of death caused by vehicle slipping or toppling off of the lifting platform.	Align vehicle between the columns of the hydraulic hoist and position the four support plates below the hoist support points specified by the vehicle manufacturer.	AS00.00-Z-0010-01A
1	Evacuate engine oil, drain	 	*BA01.45-P-1003-01B *BF18.00-P-1001-01H *WH58.30-Z-1007-16A
2	Remove lower part of oil pan (1)	Model 129, 170, 202, 208, 210, 220, 463 Model 163.154, 163.172 Model 163.174	AR01.45-P-7555VA AR01.45-P-7555V AR01.45-P-7555VE
3	Unplug connector (3) at oil level sensor		
4	Unscrew bolts of oil level sensor (2)		*BA18.40-P-1002-01B
5	Remove oil level switch (S43)		
6	Install in the reverse order		

Oil pan

Number	Designation	Engine	Engine
		112.910/911/ 912/913/914/ 915/917/920/ 921/922/923/ 940/941/942/ 943/944/945/ 946/947/949/ 951/954/955/ 960/961/970/ 972/973	112.916/953/975, 113.948/966
BA01.45-P-1003-01B	Oil drain screw to oil pan M14	Nm 30	30

Nm Oil pan

Number	Designation	Engine 113.940/941/ 942/943/944/ 945/946/960/ 961/962/963/ 965/967/968/ 969/980/981/ 982/984/986/ 992	Engine 113.987/ 988/990/ 991
BA01.45-P-1003-01B	Oil drain screw to oil pan M14 Nm	30	30

Nm Oil level/oil pressure sensor

Number	Designation	Engine 113.940/941/ 942/943/944/ 945/946/960/ 961/962/963/ 965/967/968/ 969/980/981/ 982/984/986/ 992	Engine 112 except 112.916/951/953/ 975
BA18.40-P-1002-01B	Oil level sensor to top part of oil pan Nm	10	10

Nm Oil level/oil pressure sensor

Number	Designation	Engine 113.987/ 988/990	Engine 113.991/ 993
BA18.40-P-1002-01B	Oil level sensor to top part of oil pan Nm	10	9

Engine lubrication

Number	Designation	Engine 112 except 112.916/953/975	Engine 112.916/953	Engine 112.975
BF18.00-P-1001-01H	Engine oil Filling capacity with oil filter Liters	8.0	7.5	8.0
	Filling capacity without oil filter Liters	7.5	7.0	7.5
	Specifications for Operating Fluids Sheet	BB00.40-P-0229-01A	BB00.40-P-0229-01A	BB00.40-P-0229-01A
	Sheet	BB00.40-P-0229-03A	BB00.40-P-0229-03A	BB00.40-P-0229-03A
	Sheet	BB00.40-P-0229-05A	BB00.40-P-0229-05A	BB00.40-P-0229-05A

Engine lubrication

Number	Designation	Engine 113.948/966	Engine 113.940/941/942/ 943/960/961/ 962/967/982	Engine 113.944/980/981/ 984/986/991
BF18.00-P-1001-01H	Engine oil Filling capacity with oil filter Liters	8.0	8.0	7.5

	Filling capacity without oil filter	Liters	7.5	-	-
	Specifications for Operating Fluids	Sheet	BB00.40-P-0229-01A	BB00.40-P-0229-01A	BB00.40-P-0229-01A
		Sheet	BB00.40-P-0229-03A	BB00.40-P-0229-03A	BB00.40-P-0229-03A
		Sheet	BB00.40-P-0229-05A	BB00.40-P-0229-05A	BB00.40-P-0229-05A

Engine lubrication

Number	Designation	Engine 113.963/ 965/968	Engine 113.987/988/ 990/992/993
BF18.00-P-1001-01H	Engine oil Filling capacity with oil filter	Liters 7.5	8.5
	Filling capacity without oil filter	Liters 7.0	8.0
	Specifications for Operating Fluids	Sheet BB00.40-P-0229-01A	BB00.40-P-0229-01A
		Sheet BB00.40-P-0229-03A	BB00.40-P-0229-03A
		Sheet BB00.40-P-0229-05A	BB00.40-P-0229-05A

Commercially available tools (see Workshop Equipment Manual)

Number	Designation	Make (e. g.)	Order number
WH58.30-Z-1007-16A	Engine oil extractor	Deutsche Tecaemit Am Metallwerk 11 D-33659 Bielefeld	1.386950.2